

# Newton Fitness Commercial Bench B750



## CONDITIONING

Strengthens your heart and lungs while increasing your metabolic rate.



## POWER

Increases speed and agility by activating fast twitch muscle fibers.



## STRENGTH

Increase muscle, tendon and ligament strength; bone density; metabolic rate while improving heart and body composition.



## FLEXIBILITY

Increase range of motion, flexibility and reduce the risk of injury.



## WARNING

Consult your physician before beginning this or any exercise program. Keep out of reach of children.



# Newton Fitness Commercial Bench B750

Maximum weight & Main tube size

Maximum weight capacity  
(including user weight): 800lbs

Maximum user weight: 350lbs

□ 38 × 2

453 × 108 × 6

□ 50 × 75 × 3

□ 75 × 3

800 × 270 × 70

310 × 280 × 70

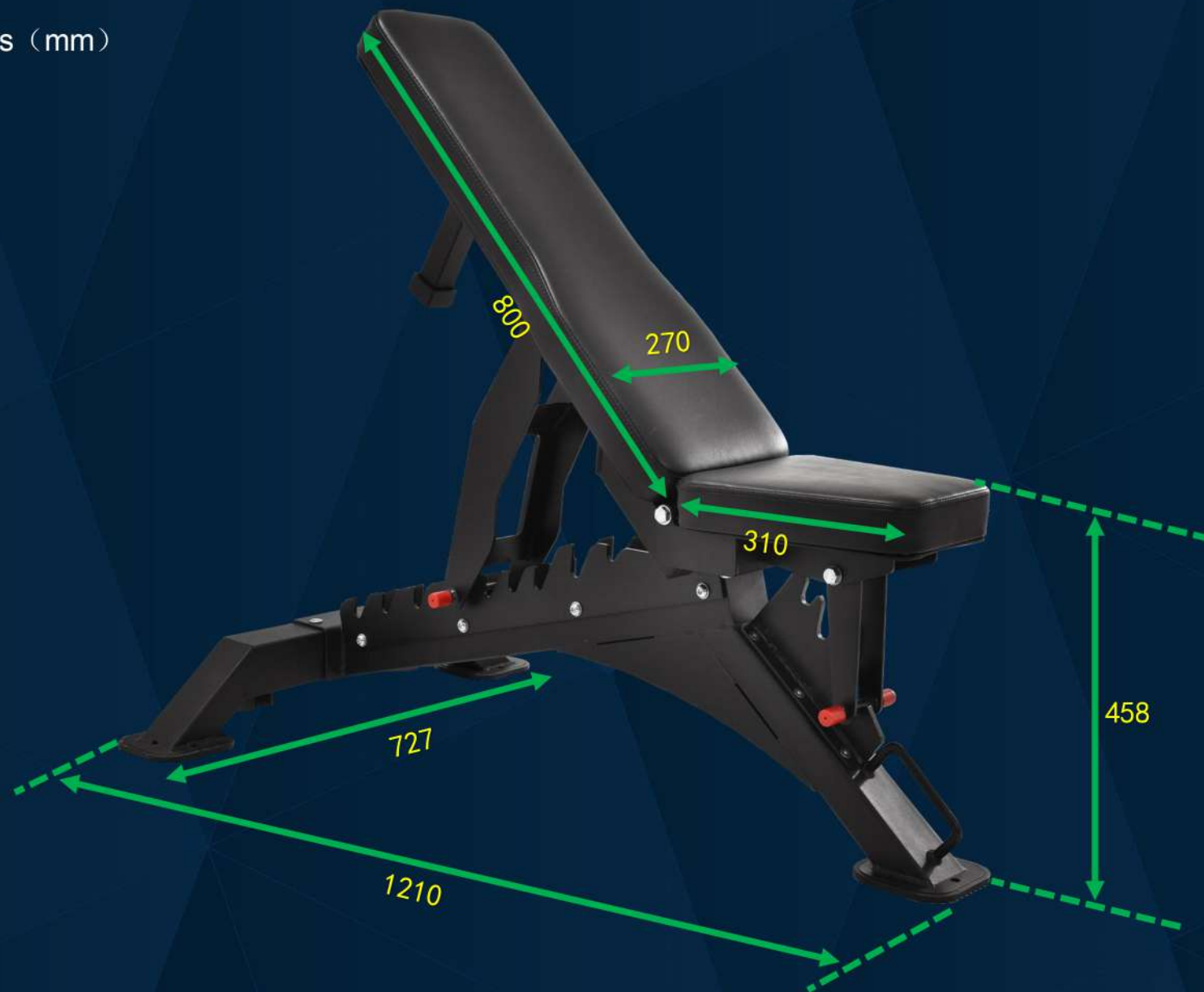
190 × 50 × 5

□ 50 × 75 × 3



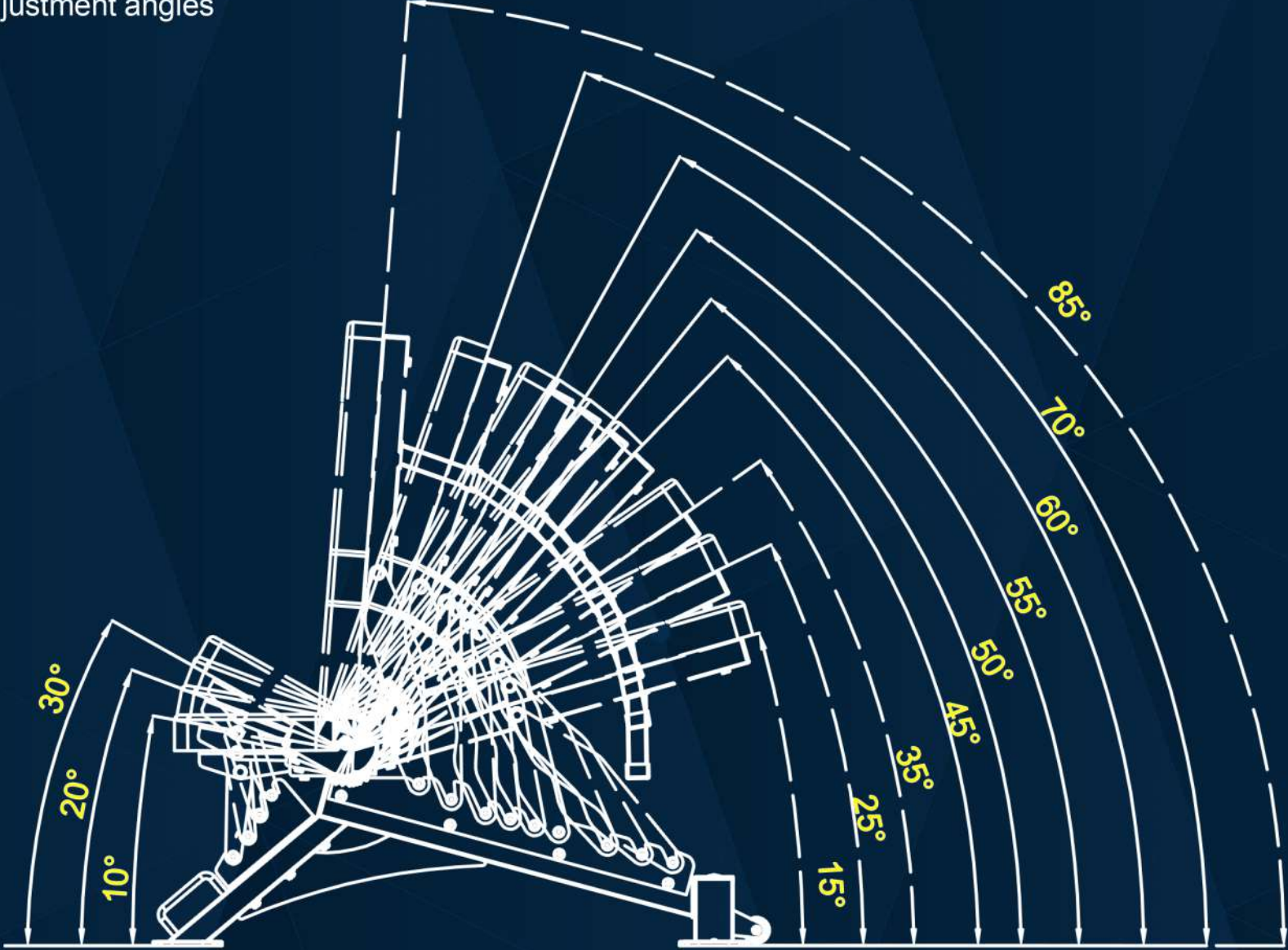
# Newton Fitness Commercial Bench B750

Assembled dimensions (mm)



# Newton Fitness Commercial Bench B750

Bench backrest adjustment angles



# Newton Fitness Commercial Bench B750

## Characteristic



Adjustable backrest pad

Thickened leather, smooth, soft and comfortable

Backrest pad adjusting frame  
double support, safety assurance

Adjustable seat pad

Thicker backrest adjustment support can  
make gear adjustment easy

Red environmental anti-skid  
high pressure PE sleeve

Anti-static and wear resisting  
high-grade powder coating

New type handlebar design  
can easy to move the bench

Non-slip rubber pad can effectively  
avoid scratching floor

# Newton Fitness Commercial Bench B750

Pad



High-grade environmental cushion with non-slip leather. It's wear resistant and comfortable.

The design of the binding invisible line is more durable and more beautiful.

# Newton Fitness Commercial Bench B750

Triangular structure

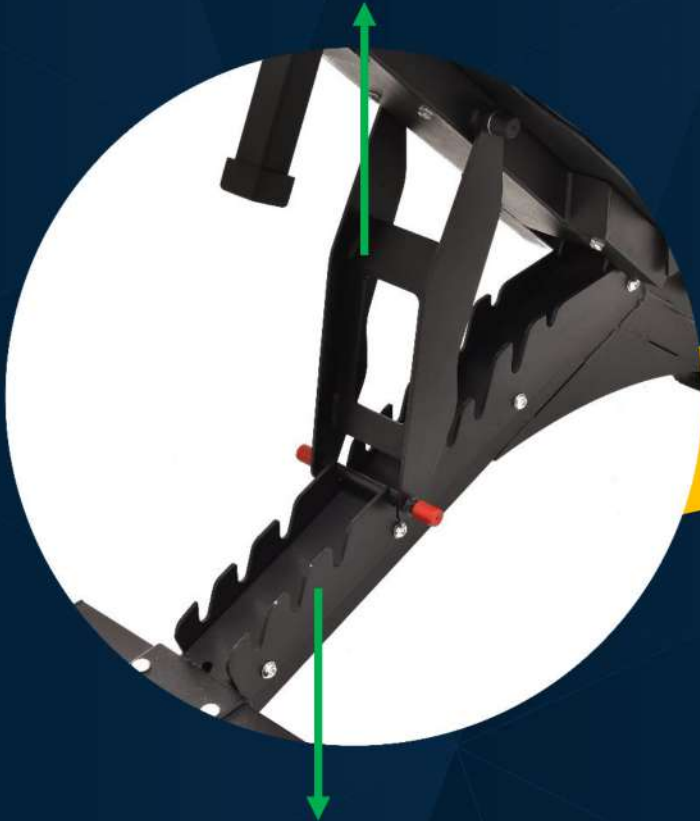
Perfect mechanical structure design  
More stable with double triangular structure.



# Newton Fitness Commercial Bench B750

Adjustable backrest pad

Backrest pad adjusting frame, double support, safety assurance.



Ten different angles adjustment. Utility bench / flat bench / dumbbell bench free conversion.



# Newton Fitness Commercial Bench B750

Adjustable seat pad



4 position adjustable height of the seat pad is easy to use and more safe.

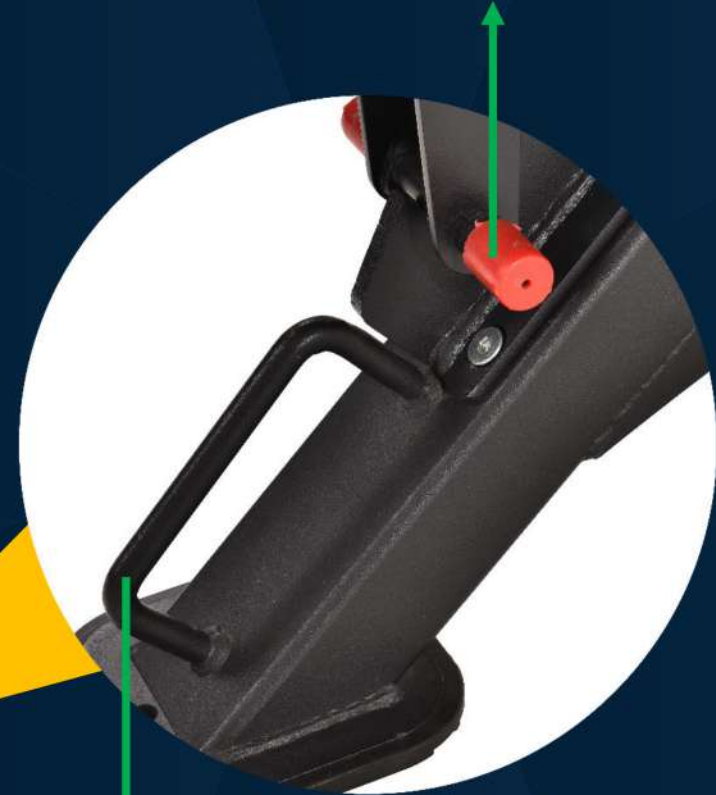


# Newton Fitness Commercial Bench B750

Detail display



Red environmental anti-skid high pressure PE sleeve which is convenient for adjusting the cushion.



New type handlebar design can easy to move the bench.

# Newton Fitness Commercial Bench B750

Reinforced base



The environmental non-slip rubber pad increases the contact area with the ground and the friction force. It's more stable.



# Newton Fitness Commercial Bench B750

Easy to move the bench

The mobile wheel with roller bearing  
More convenient and relaxed

